



## Vestil Manufacturing Corp.

2999 North Wayne Street, P.O. Box 507, Angola, IN 46703

Telephone: (260) 665-7586 -or- Toll Free (800) 348-0868

Fax: (260) 665-1339

Web: [www.vestilmfg.com](http://www.vestilmfg.com) e-mail: [info@vestil.com](mailto:info@vestil.com)

# TDR-30 & TDR-55 TILTING DRUM RING Instruction Manual



### Receiving instructions:

After delivery, remove the packaging from the product. Inspect the product closely to determine whether it sustained damage during transport. If damage is discovered, record a complete description of it on the bill of lading. If the product is undamaged, discard the packaging.

### NOTE:

The end-user is solely responsible for confirming that product design, use, and maintenance comply with laws, regulations, codes, and mandatory standards applied where the product is used.

### Technical Service and Replacement Parts:

To order replacement parts, labels, and accessories, contact the technical service and parts department online at [http://www.vestilmfg.com/parts\\_info.htm](http://www.vestilmfg.com/parts_info.htm). Alternatively, you may request replacement parts and/or service by calling (260) 665-7586 and asking for the Parts Department.

## Table of Contents

Signal Words.....	2
Hazards .....	2
Specifications.....	3
Exploded View and Bill of Materials.....	3
Using the Drum Carrier.....	4
Record of Normal Condition.....	4
Inspections & Maintenance.....	4 - 5
Labeling Diagram.....	5
Limited Warranty.....	6

## Signal Words:

This manual uses SIGNAL WORDS to direct the reader's attention to important safety-related messages. These messages describe uses of the product that could result in personal injury or property damage. Each signal word corresponds to a specific hazard level. The following are definitions of signal words that might appear in this manual.



Identifies a hazardous situation which, if not avoided, **WILL** result in DEATH or SERIOUS INJURY. Use of this signal word is limited to the most extreme situations.



Identifies a hazardous situation which, if not avoided, **COULD** result in DEATH or SERIOUS INJURY.



Indicates a hazardous situation which, if not avoided, **COULD** result in MINOR or MODERATE injury.



Identifies practices likely to result in product/property damage, such as operation that might damage the product.

## Hazards:

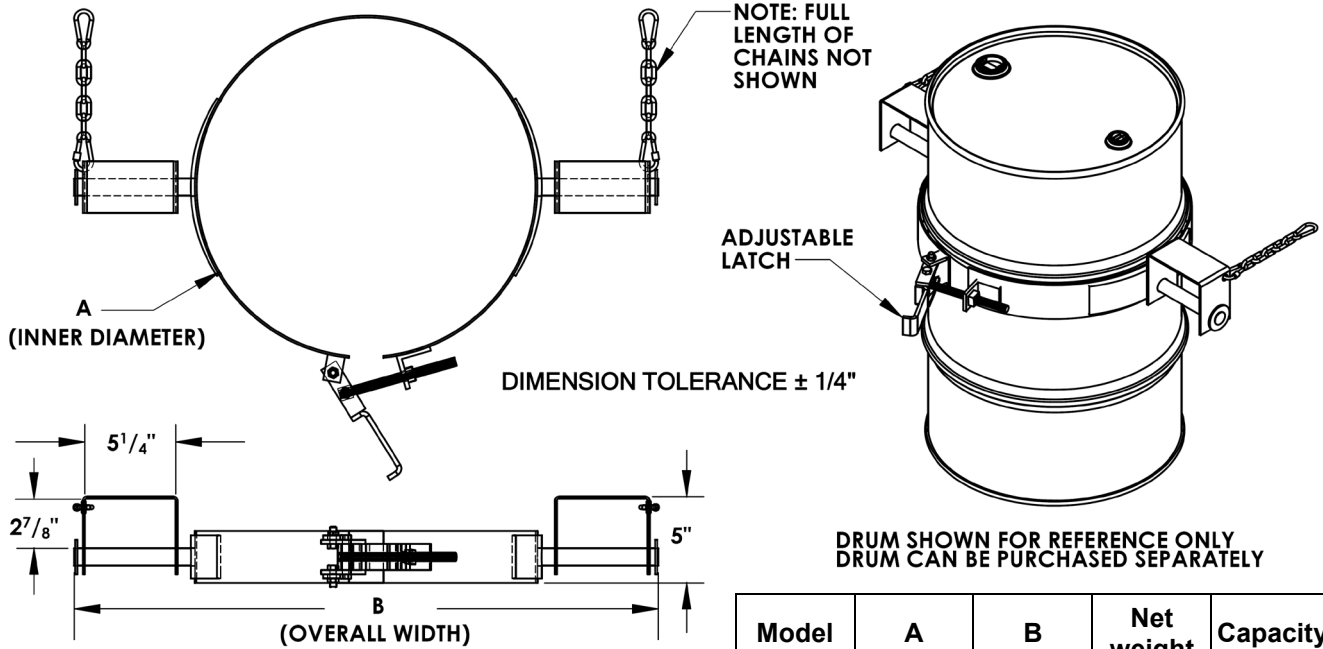
Vestil strives to identify all foreseeable hazards associated with the use of its products. However, material handling is dangerous and no manual can address every conceivable risk. Ultimately, the most effective way to prevent injury is to apply sound judgment whenever using this device.



Improper or careless use of this product might result in serious personal injury.

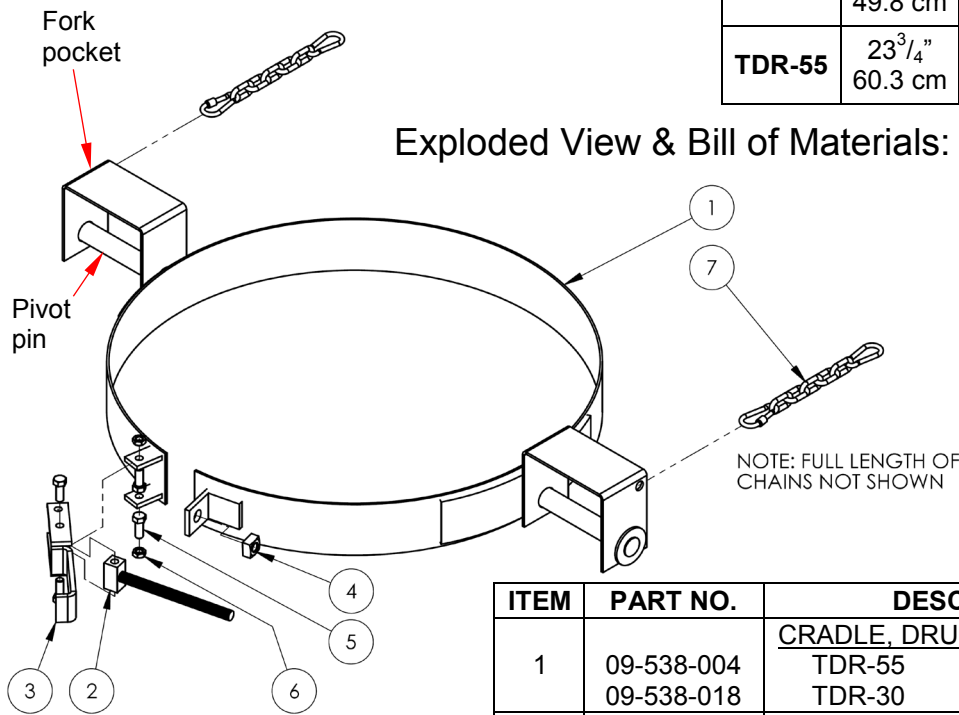
- This device is known as a “Front end attachment” (FEA). *BEFORE the drum carrier may be used*, OSHA rule 29 CFR 1910.178 requires that you contact the manufacturers of all lift trucks that will use the carrier and request:
  1. **Written approval** to use the carrier with the lift truck;
  2. **New/updated markings** for the lift truck that identify: a) the attachment; and b) provide approximate weight of the truck and attachment at maximum elevation with a laterally-centered load.
- Using this front end attachment affects the center of gravity of your lift truck.
- DO NOT exceed the capacity! Capacity information appears on Label 287, which is shown in the [Labeling diagram](#) on p. 5. It is also provided in the [Specifications](#) table on p. 3.
- Inspect the lifter before each use—before mounting it to your fork lift. DO NOT use this drum lifter unless it is in normal condition! See [Record of Normal Condition](#) on p. 4. DO NOT use the drum lifter until it is restore to normal condition.
- Inspect the drum before using the carrier to transport it. Make sure that the drum (particularly the rim and rolling rings) is in good condition. DO NOT lift or transport a damaged drum with the carrier.
- Stay clear of the drum and carrier! No part of your body should ever be beneath any part of the lifter or drum.
- Models beginning with TDR-30 should only be used with 30 gal. steel drums. TDR-55 model carriers should only be used with 55 gal. steel drums.
- Only raise drums a few inches above the ground to transport them. Transport drums slowly. Avoid rough terrain when transporting drums.
- Avoid sudden stops when transporting drums. Brake gradually. Sudden stops could damage the carrier and cause it to slide on the forks. Turn slowly.
- DO NOT modify the product in any way without first obtaining written approval from Vestil. Unapproved modifications automatically void the [Limited Warranty](#) (p. 7) and might make the carrier unsafe to use.
- DO NOT use the lifter UNLESS all labels are in place, readable, and undamaged. See [Labeling diagram on p. 5](#).
- The safety chains must be used every time the unit is mounted on a fork truck. Wrap the free ends of the chains around the fork carriage; then fasten the snap hooks to the chains or carriage **without slack**. The procedure for mounting the carrier on your forklift is provided in [Using the Drum Carrier](#) on p. 4.

Specifications:



Model	A	B	Net weight	Capacity
TDR-30	19 <sup>5</sup> / <sub>8</sub> "	33 <sup>13</sup> / <sub>16</sub> "	18.4 lb.	1,200 lb.
	49.8 cm	85.9 cm	8.4 kg	545.5 kg
TDR-55	23 <sup>3</sup> / <sub>4</sub> "	37 <sup>15</sup> / <sub>16</sub> "	19.5 lb.	1,200 lb.
	60.3 cm	96.4 cm	8.9 kg	545.5 kg

Exploded View & Bill of Materials:



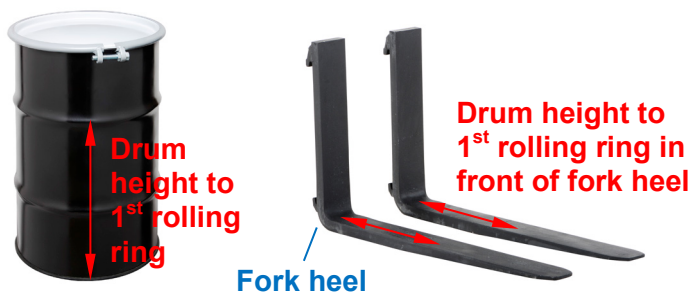
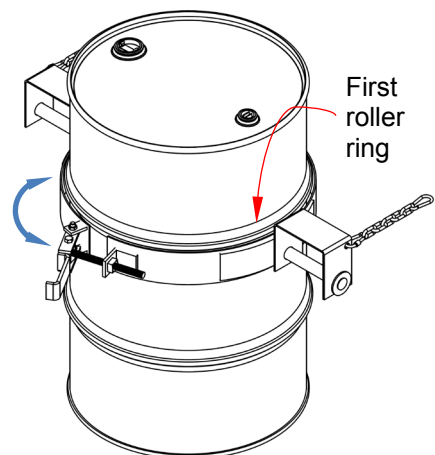
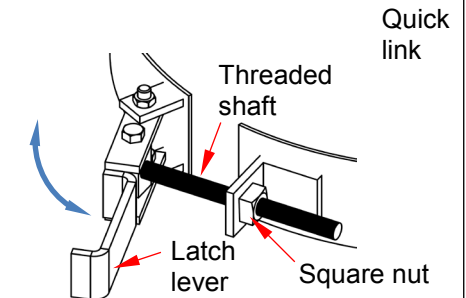
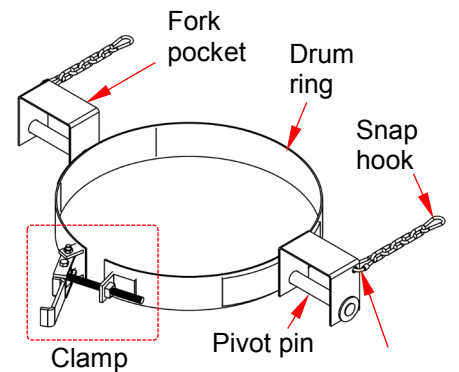
ITEM	PART NO.	DESCRIPTION	QTY.
1	09-538-004	<u>CRADLE, DRUM GRIPPER:</u>	1
	09-538-018	TDR-55	1
2	09-537-006	ADJUSTABLE LATCH LOCK, THREADED	1
3	09-525-003	HANDLE ASSEMBLY	1
4	37627	1/2"-13 UNC SQUARE NUT PLAIN	1
5	11105	HEX BOLT, GRADE A, ZINC PLATED, 3/8" -16 X 1"	4
6	37026	JAM NYLOCK INSERT LOCK NUT, 3/8 - 16 UNC, Z PLATED	2
7	09-001-095-A	42" CHAIN	2

## Using the drum carrier:

**NOTE:** Numbers in parentheses () correspond to item numbers in the *Exploded View and Bill of Materials* on p. 3.

1. If necessary, adjust the positions of the forks to align with the fork pockets of the drum carrier. The forks should be centered on the carriage when the adjustment is finished.
2. Mount the carrier on the forks/tines of your lift truck by sliding the fork pockets over the forks. Fork pockets must be oriented as shown in the below diagrams, i.e. with pivot pins down. Move the pockets towards the heels of the forks until they are in front of the heels of the forks a distance equal to the height of your drum up to the 1<sup>st</sup> roller ring (see diagrams below). If the pockets are too close to the fork heels, then the drum will not be able to rotate freely.
3. Attach the safety chains to the carriage *without slack*.
4. Open the drum ring by unlatching the clamp.
5. Drive to the drum you need to move. Raise the forks above the drum. Lower the ring over the drum. Continue lowering the forks until the ring is just below the first (drum) rolling ring.
6. Latch the clamp. The clamp should firmly grasp the drum when latched. If the fit is loose, tighten the clamp. To tighten the clamp:
  - a. Open the latch. Grasp the latch lever & pull it away from the drum ring.
  - b. Wind the square nut (4) further up the threaded shaft of the latch lock (2).
  - c. Close the latch. Press the latch lever toward the drum ring.

NOTE: Repeat steps a-c until the clamp firmly grasps the drum.
7. Raise the drum a few inches above the ground. Transport it as needed.
8. Tilt/rotate the drum: ALWAYS stand to the side of the forks! DO NOT stand in front of the drum. Rotate the drum **slowly** because contents shift as the drum rotates.



## Record of Normal Condition:

Before using the product for the first time, make a written record that describes its appearance and operation. Describe the condition of the drum ring, fork pockets, clamp mechanism, and hardware. Take photographs of the unit and of each feature. Take photographs of all labels applied to the product. Add the photographs to the record. Describe where each label is located. Install the unit on the forks of your forklift and lift a drum. Record your observations about how the clamping mechanism operates and how the drum ring engages the drum. **This record establishes "normal condition"**.

## Inspections and Maintenance:

When conducting the following inspections, compare your observations to the *Record of Normal Condition* to determine if a component is in normal condition. Do not use the product unless every component is in normal condition. Cosmetic changes like damaged paint/powder coat do not constitute changes from normal condition unless significant rusting or corrosion of the affected areas has also occurred. Apply touchup paint to all affected areas as soon as damage occurs. Contact *Technical Service* (contact information appears on the cover page) to order replacement parts.

Lower the drum and record your observations. This written record establishes "normal condition". When conducting future inspections compare those observations to the written record to determine whether a component is in normal condition.

[Continued on p. 5]

## Inspections and Maintenance (continued from p. 4):

### NOTICE

Proper use, maintenance, and storage are essential for this product to function properly.

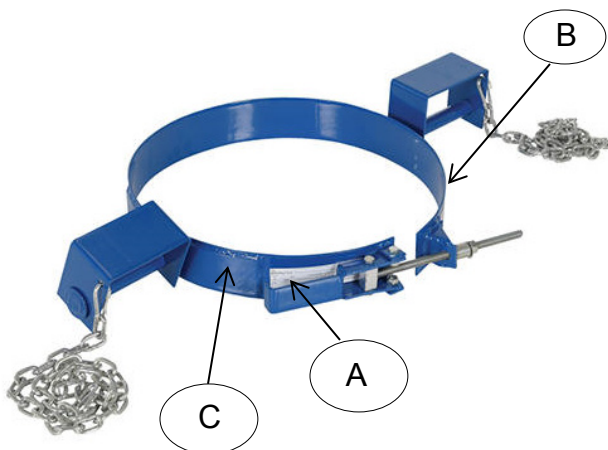
- o Keep the product clean & dry. Store it indoors.
- o Lubricate pivot point and moving parts as necessary.

**Before each use, inspect the following components.** Replace any component that is not in normal condition before returning the carrier to service.

1. Safety chains, quick links, and snap hooks (attached to the free end of each safety chain): confirm that the quick links are undamaged and securely attached to the fork pockets. Snap hooks should not be bent, stretched, cracked, or otherwise damaged. Check the chains for cracks, elongations, bends, etc.
2. Drum ring: confirm that the ring is not cracked or warped. The ring should rotate smoothly
3. Labels: all labels should be in place, undamaged, and readable. Refer to the [Labeling Diagram](#) (below). If a label is unreadable or missing, contact [Technical Service](#) to order a replacement.
4. Fasteners (hardware): examine all bolts, nuts, washers, pins, and cotter pins.
5. Fork pockets and pivot pins: confirm that each pocket is structurally sound, i.e. not severely rusted/corroded. Each pocket should be square and rigid, and be free of rust and corrosion. Pivot pins should not be bent, cracked, or severely rusted/corroded. Fork pockets should be able to rotate freely. Remove rust with steel wool. Clean the affected area and apply touchup paint. Remove dirt and debris.

### Labeling Diagram:

The unit should be labeled as shown in the diagram. However, label content and locations are subject to change so without notice your product might not be labeled exactly as shown. Replace all labels that are damaged, missing, or not easily readable (e.g. faded). To order replacement labels, contact the technical service and parts department online at [http://www.vestilmfg.com/parts\\_info.htm](http://www.vestilmfg.com/parts_info.htm). Alternatively, you may request replacement parts and/or service by calling (260) 665-7586 and asking the operator to connect you to the [Parts Department](#).



#### A – LABEL 947

MODEL/MODÉLO/MODELE	_____
STATIC CAPACITY (evenly distributed)	_____ lbs.
LA CAPACIDAD CONSTANTE (distribuida uniformemente)	_____ kgs.
CAPACITÉ STATIQUE (distribuée régulièrement)	_____ kgs.
DATE OF MANUFACTURE (FECHA DE FABRICACIÓN/DATE OF FABRICATION)	_____
	<b>947</b>

#### B – LABEL 1049

<b>⚠ WARNING</b>	
Improper use of this fork attachment might result in death or serious injury.	
<ul style="list-style-type: none"> <li>• Using this front end attachment affects lift truck center of gravity.</li> <li>• Before using this fork attachment, US Federal regulation 29 CFR 1910.178 requires you to contact the manufacturer of your lift truck and request:                     <ol style="list-style-type: none"> <li>1. Written approval [29 CFR 1910.178(a)(4)]</li> <li>2. Markings for (fork) lift truck that:                             <ul style="list-style-type: none"> <li>- Identify the attachment;</li> <li>- Give approximate weight of truck and attachment at maximum elevation with laterally-centered load. [29 CFR 1910.178(a)(5)].</li> </ul> </li> </ol> </li> <li>• <b>DO NOT</b> use UNTIL lift truck is marked with corrected capacity tags.</li> </ul>	
	<b>1049</b> rev 1118

#### C – LABEL 675

<b>⚠ WARNING</b>	<b>⚠ ADVERTENCIA</b>
<ul style="list-style-type: none"> <li>• DO NOT exceed rated capacity</li> <li>• DO NOT use if damaged, malfunctioning, or missing parts</li> <li>• DO NOT lift people OR lift loads over people</li> <li>• DO NOT raise load higher than necessary</li> <li>• DO NOT leave a suspended load unattended</li> <li>• DO NOT use lifter unless you read and understand the owner's manual</li> <li>• DO NOT alter OR modify lifter</li> <li>• DO NOT remove OR obscure any label</li> <li>• STAY CLEAR of suspended loads</li> <li>• Secure load before using this device</li> </ul>	<ul style="list-style-type: none"> <li>• NO exceda la capacidad tasada</li> <li>• NO USE is las partes estan dañadas, no funcionan correctamente o faltan partes.</li> <li>• NO eleve al personal o eleve cargas sobre el personal</li> <li>• NO eleve la carga mas alto de lo necesario</li> <li>• NO deje desatendida una carga que este suspendida</li> <li>• NO use el elevador a no ser que haya leído y entendido las instrucciones del manual del propietario</li> <li>• NO altere o modifique el elevador</li> <li>• NO quite u oscurezca ninguna etiqueta</li> <li>• MANTENGASE alejado de las cargas suspendidas</li> <li>• Asegure la carga antes de usar este dispositivo</li> </ul>
	<b>675</b> rev 1213



## LIMITED WARRANTY

Vestil Manufacturing Corporation (“Vestil”) warrants this product to be free of defects in material and workmanship during the warranty period. Our warranty obligation is to provide a replacement for a defective, original part covered by the warranty after we receive a proper request from the Warrantee (you) for warranty service.

### Who may request service?

Only a warrantee may request service. You are a warrantee if you purchased the product from Vestil or from an authorized distributor AND Vestil has been fully paid.

### Definition of “original part”?

An original part is a part used to make the product as shipped to the Warrantee.

### What is a “proper request”?

A request for warranty service is proper if Vestil receives: 1) a photocopy of the Customer Invoice that displays the shipping date; AND 2) a written request for warranty service including your name and phone number. Send requests by one of the following methods:

<u>US Mail</u>	<u>Fax</u>	<u>Email</u>
Vestil Manufacturing Corporation 2999 North Wayne Street, PO Box 507 Angola, IN 46703	(260) 665-1339 <u>Phone</u> (260) 665-7586	info@vestil.com Enter “Warranty service request” in subject field.

In the written request, list the parts believed to be defective and include the address where replacements should be delivered. After Vestil receives your request for warranty service, an authorized representative will contact you to determine whether your claim is covered by the warranty. Before providing warranty service, Vestil will require you to send the entire product, or just the defective part (or parts), to its facility in Angola, IN.

### What is covered under the warranty?

The warranty covers defects in the following original, dynamic parts: motors, hydraulic pumps, motor controllers, and cylinders. It also covers defects in original parts that wear under normal usage conditions (“wearing parts”), such as bearings, hoses, wheels, seals, brushes, and batteries.

### How long is the warranty period?

The warranty period for original dynamic components is 30 days. For wearing parts, the warranty period is 30 days. Both warranty periods begin on the date Vestil ships the product to the Warrantee. If the product was purchased from an authorized distributor, the periods begin when the distributor ships the product. Vestil may, at its sole discretion, extend a warranty period for products shipped from authorized distributors by up to 30 days to account for shipping time.

### If a defective part is covered by the warranty, what will Vestil do to correct the problem?

Vestil will provide an appropriate replacement for any *covered* part. An authorized representative of Vestil will contact you to discuss your claim.

### What is not covered by the warranty?

The Warrantee (you) are responsible for paying labor costs and freight costs to return the product to Vestil for warranty service.

### Events that automatically void this Limited Warranty.

- Misuse;
- Negligent assembly, installation, operation or repair;
- Installation/use in corrosive environments;
- Inadequate or improper maintenance;
- Damage sustained during shipping;
- Collisions or other accidents that damage the product;
- Unauthorized modifications: Do not modify the product IN ANY WAY without first receiving written authorization from Vestil.

### Do any other warranties apply to the product?

Vestil Manufacturing Corp. makes no other express warranties. All implied warranties are disclaimed to the extent allowed by law. Any implied warranty not disclaimed is limited in scope to the terms of this Limited Warranty. Vestil makes no warranty or representation that this product complies with any state or local design, performance, or safety code or standard. Noncompliance with any such code or standard is not a defect in material or workmanship.